

"Tele 43" Wall mounting bucky stand (code TR4300)

Description

Wall fixed stand with vertical sliding bucky carriage. Manual moving, weight counterbalancing, mechanical locking by lateral grip. The bucky carriage can accept a standard bucky mechanism with 35x43 cm cassette tray and grid focalised at 150 cm - ratio 10:1 - 40L/cm. The bucky frame has a laminated plastic front panel, a chin-support on top side, and the lateral aluminium rails fitted with grooves for standard accessories. The cassette loading can be done on the right or on the left side. As option it is possible to mount the automatic cassette loading bucky mechanism and the cassette size sensing device for use with an automatic collimation system. All buckys accept a detection chamber for use with an automatic exposure control.

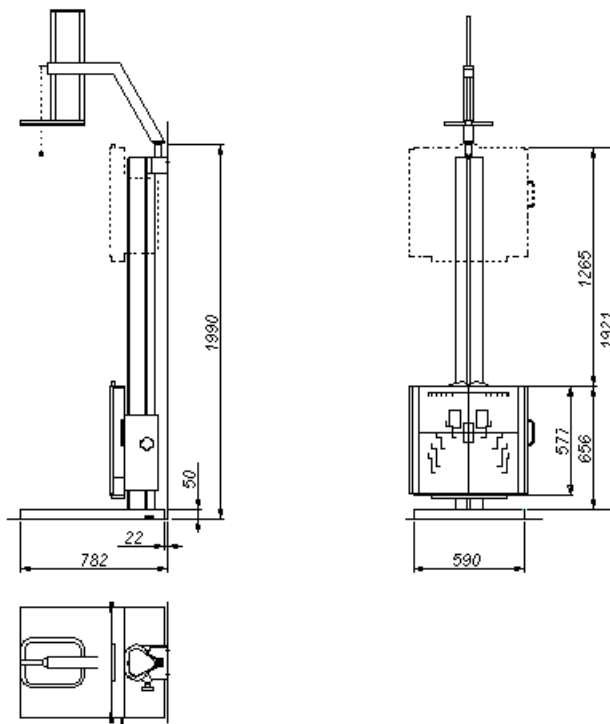
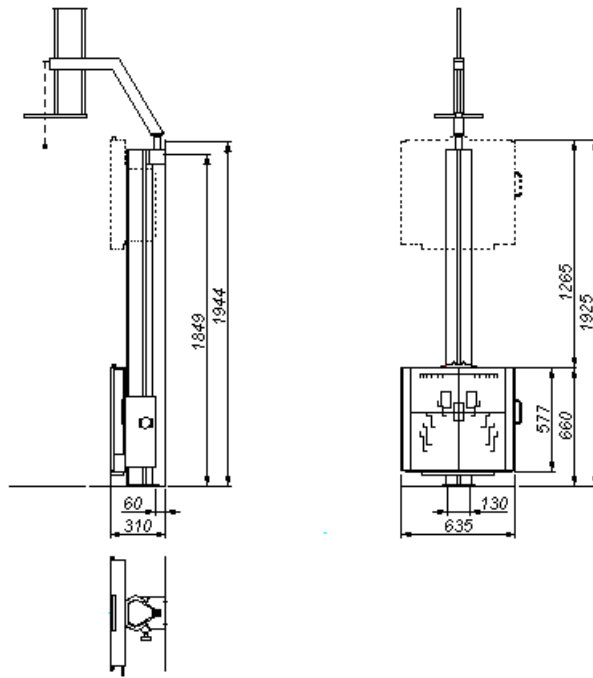
"Tele 43B" Floor mounting bucky stand (code TR4301)

Description

Same characteristics as "Tele 43" but with column supporting base.

Main features

Bucky vertical travel	126,5 cm
Bucky upper edge minimum distance from floor	66 cm
Base dimensions (Tele 43B)	59 x 78 cm
Standard painting	RAL 9002
Unit weight (Standard Bucky weight included))	80 kg



Accessories

Code	Description
TRA001	Arm support
ZA0001	Compression band
ZA0002	35x43 cm external cassette holder
ZA0003	40x90 cm external cassette holder
ZA0004	40x120 cm external cassette holder

WOLVERSON X-RAY LIMITED

☎ 01902 637333 e-mail enquiries@wolversonx-ray.co.uk Web: wolverson.uk.com