

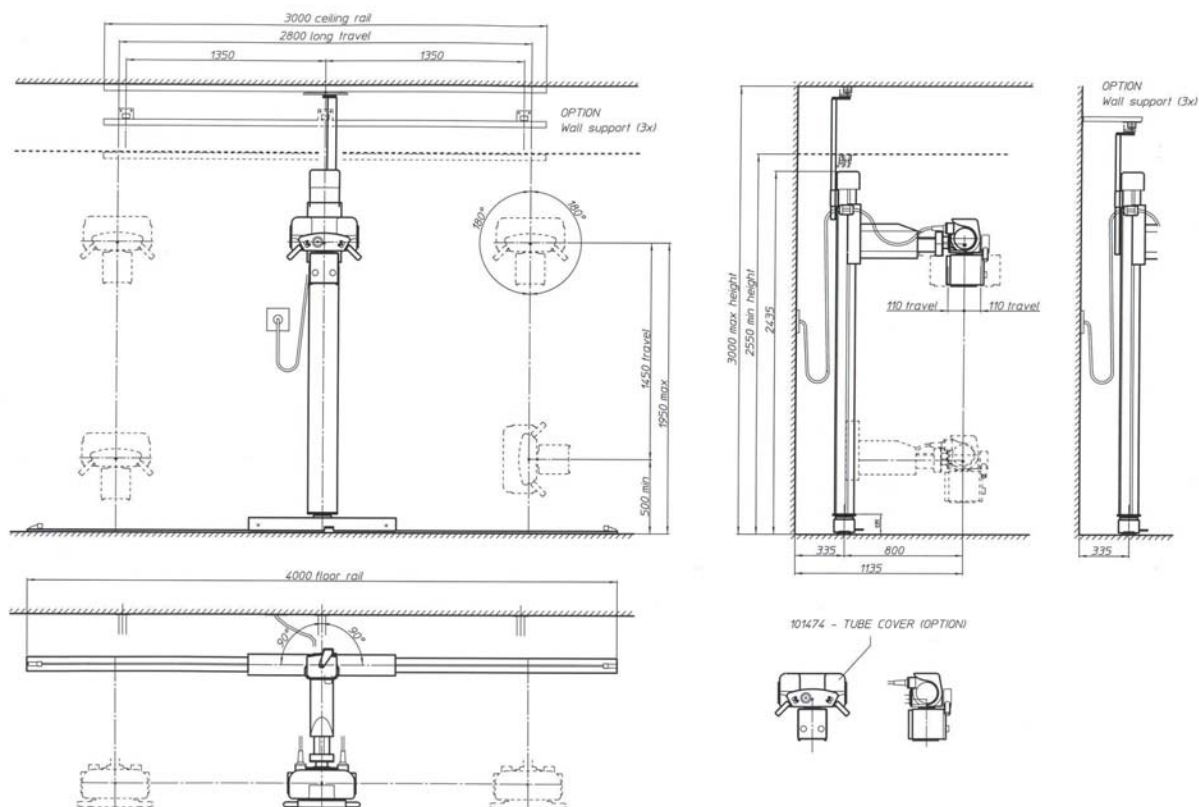


Description

The stand has been designed to support and move a radiogen assembly (RX tube and diaphragm). With the stand, it is possible to position the radiogen assembly as so to direct the radiant beam towards receptor devices such as a fixed or elevating and tilting table top bucky table, a stretcher, a wall bucky stand, a cassette changer, etc. Movements are manual and the mechanically balanced mobile parts are kept in parking position by electromagnetic brakes. For the movements, in-line electromagnetic brakes are used while, for the tube rotation movement on the horizontal arm of support, brakes at permanent magnet are used that assures the braking action even in case of a sudden lack of current. The equipment is made with aluminium profile special alloy. The equipment can be easily checked in each part so maintenance and inspections to keep its performance, safe use and reliability unchanged in the long run are made easier.

Technical features

Longitudinal rail	
• Length	400 cm
• Longitudinal travel	280 cm
Column rotation	
• Angle of rotation	+/- 90° with mechanical detent in the orthogonal positions
• Unlocking rotational movement	foot pedal
Vertical	
• Focus to floor minimum distance	50 cm
• Vertical travel	145 cm
• Focus to film indicator	Adhesive scaled overlay (metric system)
• Balancing system	counterweights
Transversal	
• Focus to column vertical axis distance	80 cm
• Transversal movement	+/- 11 cm
Tube horizontal rotation	
• Angle of rotation	+/- 180° with mechanical detent in the orthogonal positions
• Angle indicator	goniometer
• Locking of rotation	In every position with magnetic brake
Control board	
• Movements / brakes control	by handle bar / push buttons
Power requirements	
• Line voltage / frequency	230 V _{AC} 50/60 Hz
• Max. absorbed power	300 VA (100W collimator lamp included)
Colours	
• Painted parts / adhesive overlays	RAL 9002 / grey
Weight	
	130 kg (stand) + 20 kg (rails)
Equipment identification	
• Classification	class I - type B
• Typology of installation	permanently connected
• Working mode	continuous with intermittent load
Standard compliance	
• Safety	EN 60 601
Operating environment	
• Temperature range	10 °C ÷ 40 °C
• Relative humidity range (without condensation)	30 % ÷ 75 %
• Atmospheric pressure range	700 hPa ÷ 1060 hPa



Features subjected to changes and updatings

WOLVERSON X-RAY LIMITED

☎ 01902 637333 e-mail enquiries@wolversonx-ray.co.uk web: www.wolverson.uk.com

